

# PFA110

## Mount Adapter



### Features

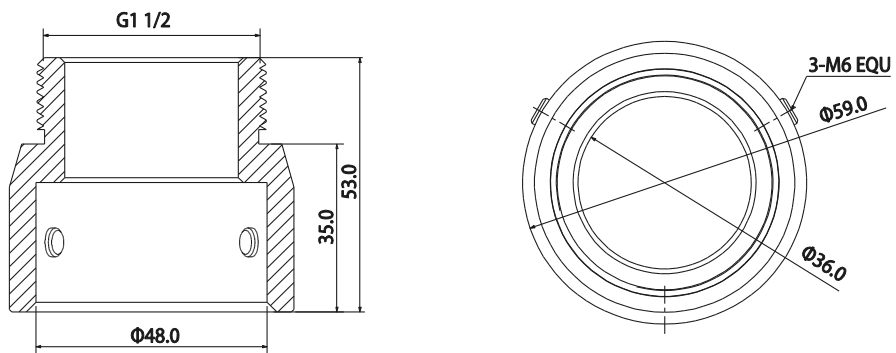
- Material: Aluminum
- Mount Adapter
- Neat & Integrated design

### Specifications

Model	PFA110
<b>General</b>	
Material	Aluminum
Dimension (W x H x D)	Φ59mm x 53mm
Pipe Thread	G1 1/2"
Operating Temperature	-40°C ~60°C
Humidity	0~90% RH
Load Bearing	N/A
Weight	0.20Kg
Applicable Model	Please see "Accessory Selection"

# PFA110

## Dimensions (mm)



## Application

